

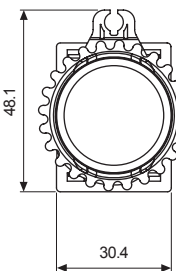
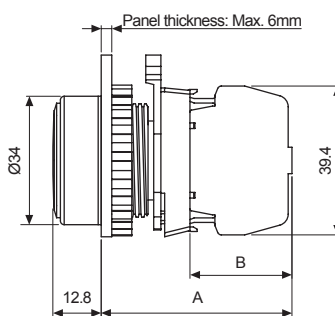


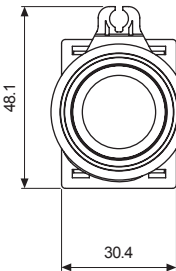
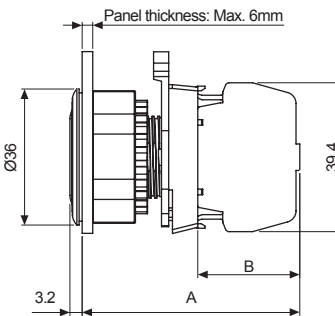


Ø30 Round Push Button Switches (S3PR Series)

| Type | Appearance | Model | Contact block | | LED block | | | | | | | | | | |
|--|--|----------------|---------------|-----------|---------------|------------|--|---|---|---------------|------|------|--------------|------|------|
| | | | A contact | B contact | AC/DC voltage | AC voltage | | | | | | | | | |
| Extended |  <p>S3PR-P1R□</p>  | S3PR-P1□A(M) | 1 | — | — | — | | | | | | | | | |
| | | S3PR-P1□2A(M) | 2 | — | | | | | | | | | | | |
| | | S3PR-P1□3A(M) | 3 | — | | | | | | | | | | | |
| | | S3PR-P1□B(M) | — | 1 | | | | | | | | | | | |
| | | S3PR-P1□2B(M) | — | 2 | | | | | | | | | | | |
| | | S3PR-P1□3B(M) | — | 3 | | | | | | | | | | | |
| | | S3PR-P1□AB(M) | 1 | 1 | | | | | | | | | | | |
| | | S3PR-P1□2AB(M) | 2 | 1 | | | | | | | | | | | |
| | | S3PR-P1□A2B(M) | 1 | 2 | | | | | | | | | | | |
| <p>※□ indicates color : R, B, G, Y, K</p> <p>※The M in the model name indicates modular type contact block. Models without M are singular contact block.</p> <p>※The control unit, contact blocks, LED blocks are sold separately. (control unit: bold letters, contact block: regular letters)</p> <p>• Dimensions (unit: mm)</p> <div style="display: flex; justify-content: space-around;">   <table border="1" style="margin-left: auto;"> <thead> <tr> <th></th> <th>A</th> <th>B</th> </tr> </thead> <tbody> <tr> <td>Singular type</td> <td>50.5</td> <td>27.0</td> </tr> <tr> <td>Modular type</td> <td>48.5</td> <td>25.0</td> </tr> </tbody> </table> </div> <p style="text-align: right;">※For panel cut-out dimensions, please refer to page A-105.</p> | | | | | | | | A | B | Singular type | 50.5 | 27.0 | Modular type | 48.5 | 25.0 |
| | A | B | | | | | | | | | | | | | |
| Singular type | 50.5 | 27.0 | | | | | | | | | | | | | |
| Modular type | 48.5 | 25.0 | | | | | | | | | | | | | |

| Type | Appearance | Model | Contact block | | LED block | | | | | | | | | | |
|--|--|----------------|---------------|-----------|---------------|------------|--|---|---|---------------|------|------|--------------|------|------|
| | | | A contact | B contact | AC/DC voltage | AC voltage | | | | | | | | | |
| Flush |  <p>S3PF-P1B□</p>  | S3PF-P1□A(M) | 1 | — | — | — | | | | | | | | | |
| | | S3PF-P1□2A(M) | 2 | — | | | | | | | | | | | |
| | | S3PF-P1□3A(M) | 3 | — | | | | | | | | | | | |
| | | S3PF-P1□B(M) | — | 1 | | | | | | | | | | | |
| | | S3PF-P1□2B(M) | — | 2 | | | | | | | | | | | |
| | | S3PF-P1□3B(M) | — | 3 | | | | | | | | | | | |
| | | S3PF-P1□AB(M) | 1 | 1 | | | | | | | | | | | |
| | | S3PF-P1□2AB(M) | 2 | 1 | | | | | | | | | | | |
| | | S3PF-P1□A2B(M) | 1 | 2 | | | | | | | | | | | |
| <p>※□ indicates color : R, B, G, Y, K</p> <p>※The M in the model name indicates modular type contact block. Models without M are singular contact block.</p> <p>※The control unit, contact blocks, LED blocks are sold separately. (control unit: bold letters, contact block: regular letters)</p> <p>• Dimensions (unit: mm)</p> <div style="display: flex; justify-content: space-around;">   <table border="1" style="margin-left: auto;"> <thead> <tr> <th></th> <th>A</th> <th>B</th> </tr> </thead> <tbody> <tr> <td>Singular type</td> <td>57.6</td> <td>27.0</td> </tr> <tr> <td>Modular type</td> <td>55.6</td> <td>25.0</td> </tr> </tbody> </table> </div> <p style="text-align: right;">※For panel cut-out dimensions, please refer to page A-105.</p> | | | | | | | | A | B | Singular type | 57.6 | 27.0 | Modular type | 55.6 | 25.0 |
| | A | B | | | | | | | | | | | | | |
| Singular type | 57.6 | 27.0 | | | | | | | | | | | | | |
| Modular type | 55.6 | 25.0 | | | | | | | | | | | | | |



Ø30 Push Button Switches

Control Switches

Ø16

Ø22/25

Ø30

Ø30

Push Button Switches

Round

Square

Rectangular

Selector Switches

Round

Square

Rectangular

Key Selector Switches

Round

Square

Rectangular

Double Push Button Switches



Mushroom-head Push Button Switches

Emergency Switches

Pilot Lights

Accessories

Buzzers

| Type | Appearance | Model | Contact block | | LED block | | |
|------------------------|--|-----------------|-----------------|-----------|---------------|------------|---|
| | | | A contact | B contact | AC/DC voltage | AC voltage | |
| Flush (illuminated) |  S3PFU-P3G□  | Modular contact | S3PF(U)-P3□ADM | 1 | — | 1 | — |
| | | | S3PF(U)-P3□2ADM | 2 | — | | |
| | | | S3PF(U)-P3□BDM | — | 1 | | |
| | | | S3PF(U)-P3□2BDM | — | 2 | | |
| | | | S3PF(U)-P3□ABDM | 1 | 1 | — | 1 |
| | | | S3PF(U)-P3□ALM | 1 | — | | |
| | | | S3PF(U)-P3□2ALM | 2 | — | | |
| | | | S3PF(U)-P3□BLM | — | 1 | | |
| | | | S3PF(U)-P3□2BLM | — | 2 | | |
| | | | S3PF(U)-P3□ABLM | 1 | 1 | | |

※ □ indicates color: ■, ■, ■, ■, ■

※ The control unit, contact blocks, LED blocks are sold separately.

(control unit: bold letters, contact block: regular letters)

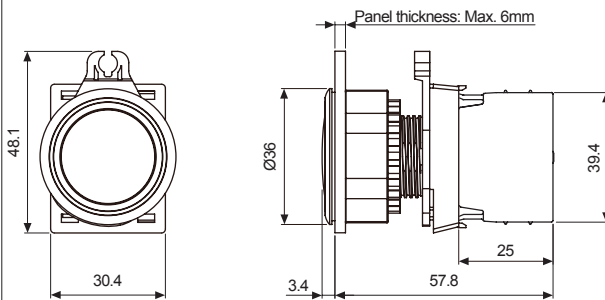
※ Control unit+contact block (modular type) models do not contain "Push" markings on the button cap.

※ Models with 'U' in the model name is available only for control unit. 'U' models do not contain "Push" markings on the button cap.



※ The LED color is the same as the control unit. ※ Waterproof cap (model: SA-WP) is available.

• Dimensions

(unit: mm)



※ For panel cut-out dimensions, please refer to page A-105.

| Appearance | Model | Contact block | | LED block | | |
|---|------------------|----------------|-----------|---------------|------------|---|
| | | A contact | B contact | AC/DC voltage | AC voltage | |
|  S3PF-P3G□  | Singular contact | S3PF(U)-P3□AD | 1 | — | 1 | — |
| | | S3PF(U)-P3□2AD | 2 | — | | |
| | | S3PF(U)-P3□BD | — | 1 | | |
| | | S3PF(U)-P3□2BD | — | 2 | | |
| | | S3PF(U)-P3□ABD | 1 | 1 | — | 1 |
| | | S3PF(U)-P3□AL | 1 | — | | |
| | | S3PF(U)-P3□2AL | 2 | — | | |
| | | S3PF(U)-P3□BL | — | 1 | | |
| | | S3PF(U)-P3□2BL | — | 2 | | |
| | | S3PF(U)-P3□ABL | 1 | 1 | | |

※ □ indicates color: ■, ■, ■, ■, ■

※ The control unit, contact blocks, LED blocks are sold separately.

(control unit: bold letters, contact block: regular letters)

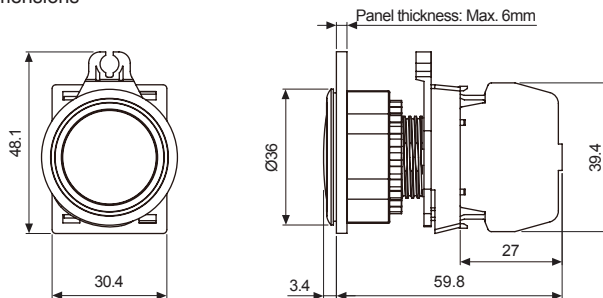
※ Control unit+contact block (singular type) models contain "Push" markings on the button cap.

※ Models with 'U' in the model name is available only for control unit. 'U' models do not contain "Push" markings on the button cap.

※ The LED color is the same as the control unit. ※ Waterproof cap (model: SA-WP) is available.

• Dimensions

(unit: mm)







※ For panel cut-out dimensions, please refer to page A-105.

Ø30 Panel Cut-out Dimensions

Ø30 Panel Cut-out Dimensions

(unit: mm)

| Type | | A | B | Panel Cut-out Dimensions | |
|---|---|---|----|---|----|
| Round Push Button Switches (S3PR/S3PF Series) |  | 45 | 55 |  | |
| Round Selector Switches (S3SF/S3SFN Series) | Short lever |  | 37 | | 55 |
| | Long lever |  | 55 | | 55 |
| Round Key Selector Switches (S3KF Series) |  | 37 | 55 | | |
| Pilot Lights (L3RF Series) |  | 37 | 55 | | |

Control Switches

Ø16

Ø22/25

Ø30

□30

Push Button Switches

Round

Square

Rectangular

Selector Switches

Round

Square

Rectangular

Key Selector Switches

Round

Square

Rectangular

Double Push Button Switches

Mushroom-head Push Button Switches

Emergency Switches

Pilot Lights

Accessories

Buzzers